

DURABRAND

JUMBO DISPLAY DUAL ALARM CLOCK RADIO

MODEL CR-777

OPERATING INSTRUCTIONS





- **DUAL ALARMS - PERFECT FOR WEEKDAYS & WEEKENDS**
- **EASY TO READ JUMBO CLOCK DISPLAY**
- **WAKE UP TO RADIO OR ALARM**
- **AM/FM RADIO RECEIVER**
- **ELECTRONIC DIGITAL CLOCK**
- **PM & DUAL ALARM INDICATORS**
- **SNOOZE FUNCTION** (FOR EXTRA 7 MINUTES SLEEP)
- **SLEEP TO RADIO** (WITH AUTOMATIC SHUT OFF)
- **BATTERY BACK-UP** (9V BATTERY, NOT INCLUDED)

PLEASE READ CAREFULLY BEFORE USE

WARNING

TO PREVENT FIRE OR SHOCK HAZARD, DO NOT USE THE PLUG WITH AN EXTENSION CORD, RECEPTACLE OR OTHER OUTLET UNLESS THE BLADES CAN BE FULLY INSERTED TO PREVENT BLADE EXPOSURE. TO PREVENT FIRE OR SHOCK HAZARD, DO NOT EXPOSE THIS APPLIANCE TO RAIN OR MOISTURE.

 <p>The lightning flash with arrowhead symbol, within an equilateral triangle, is intended to alert the user to the presence of uninsulated "dangerous voltage" within the product's enclosure that may be of sufficient magnitude to constitute a risk of electric shock to persons.</p>	<p>WARNING RISK OF ELECTRIC SHOCK DO NOT OPEN</p> <p>WARNING: TO REDUCE THE RISK OF ELECTRIC SHOCK, DO NOT REMOVE COVER (OR BACK). NO USER SERVICEABLE PARTS INSIDE. REFER SERVICING TO QUALIFIED SERVICE PERSONNEL.</p>	 <p>The exclamation point within an equilateral triangle is intended to alert the user to the presence of important operating and maintenance (servicing) instructions in the literature accompanying the appliance.</p>
--	---	---

IMPORTANT SAFETY INSTRUCTIONS

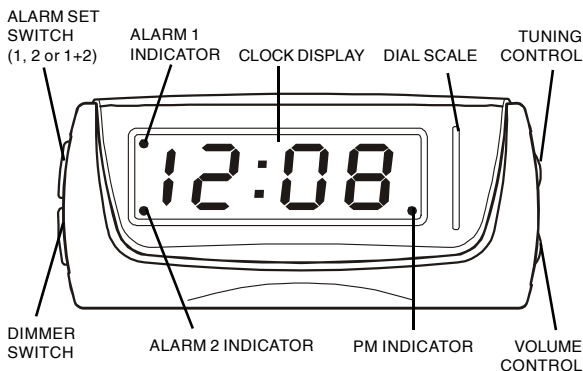
1. Read these instructions.
2. Keep these instructions.
3. Heed all warnings.
4. Follow all instructions.
5. Do not use this apparatus near water.
6. Clean only with dry cloth.
7. Do not block any ventilation openings, install in accordance with the manufacturer's instructions.
8. Do not install near any heat sources such as radiators, heat registers, stoves, or other apparatus (including amplifiers) that produce heat.
9. Do not defeat the safety purpose of the polarized or grounding-type plug. A polarized plug has two blades with one wider than the other. A grounding type plug has two blades and a third grounding prong. The wide blade or the third prong are provided for your safety. If the provided plug does not fit into your outlet, consult an electrician for replacement of the obsolete outlet.
10. Protect the power cord from being walked on or pinched particularly at plugs, convenience receptacles, and the point where they exit from the apparatus.
11. Only use attachments/accessories specified by the manufacturer.
12. Unplug this apparatus during lightening storms or when unused for long periods of time.
13. Refer all servicing to qualified service personnel. Servicing is required when the apparatus has been damaged in any way, such as power-supply cord or plug is damaged, liquid has been spilled or objects have fallen into the apparatus, the apparatus has been exposed to rain or moisture, does not operate normally or has been dropped.
14. This appliance shall not be exposed to dripping or splashing water and that no object filled with liquid such as vases shall be placed on the apparatus.

ADDITIONAL SAFETY INSTRUCTIONS

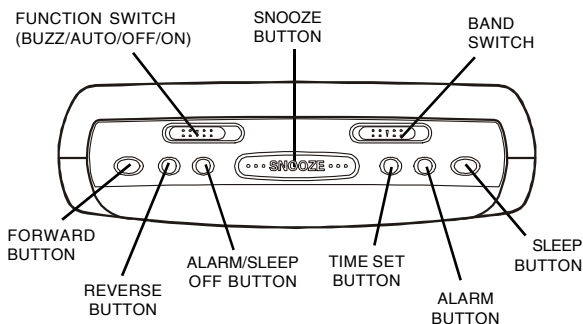
1. **Power Sources** - The appliance should be connected to a power supply only of the type described in the operating instructions or as marked on the appliance.
2. **Wall or Ceiling Mounting** - The appliance should not be mounted to a wall or ceiling.
3. **Object and Liquid Entry** - Care should be taken so that objects do not fall and liquids are not spilled into the enclosure through openings.
4. **Servicing** - The user should not attempt to service the appliance beyond that described in the operating instructions. All other servicing should be referred to qualified service personnel.
5. Do not connect FM antenna wire to any outdoor antenna.

LOCATION OF CONTROLS

FRONT VIEW

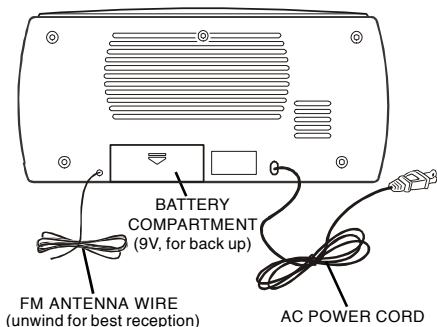


TOP VIEW



LOCATION OF CONTROLS

BACK VIEW



OPERATING INSTRUCTIONS

Powering Up

Plug the AC power cord into a 120V, 60Hz electrical outlet. The clock display will light up and flash indicating the power is on.

NOTE: This cord is polarized. This means the cord will only fit one way into the socket or wall outlet. If it does not fit, do not force it, just reverse it and try again.

BATTERY BACK-UP

If the AC cord is disconnected or if there is a short time power failure, this electronic clock and timer are designed to continue operating internally (without showing the time in the display) if a 9 volt battery (not included) is installed.

The radio will work fine without this backup battery.

NOTE: You may check the condition of the battery every few months by disconnecting the AC cord and connecting it again 2 or 3 minutes later. The preset times will show. If the time flashes, it indicates the battery is dead or not connected properly.

Setting the Clock

1. Press and hold the TIME set button together with the FORWARD button until the display shows the desired hour.
2. Press and hold the TIME set button together with the REVERSE button until the display shows the desired minutes.

NOTE: When the PM indicator is off, the time is AM.

OPERATING INSTRUCTIONS

Setting the Alarm Times

This set has dual alarms. You may set ALARM 1 to wake you at a certain time, or ALARM 2 to wake you at a different time, or ALARM 1+2 - both alarms will sound at the times you set.

This feature is useful for a husband & wife waking up at different times or a single person who likes to wake up at different times during week days or weekends.

To set ALARM 1, slide the ALARM SET switch to position 1.

To set ALARM 2, slide the ALARM SET switch to position 2.

1. Use the ALARM button to check the alarm time.
2. Press and hold the ALARM button together with the FORWARD button until the display shows the desired alarm hour time.
3. Press and hold the ALARM button together with the REVERSE button until the display shows the correct alarm minutes.
4. Make sure the PM lamp is off if you want the clock to wake you in the morning.
5. Release the ALARM button, the clock display will show the normal time of day. Press the alarm button to display the alarm time.

NOTE 1: Again check the PM indicator. If you want the radio to wake you in the morning, the lamp above to PM should be off on alarm time (when pressing ALARM button). To change PM to AM time, advance time 12 hours.

NOTE 2: To wake to ALARM 1 time, slide ALARM SET switch to **position 1**.
To wake to ALARM 2 time, slide ALARM SET switch to **position 2**.
To wake to both times, slide ALARM SET switch to **position 1+2**.

Playing the Radio

1. Slide the FUNCTION switch to ON position.
2. Slide the BAND switch to either AM or FM.
3. Turn the TUNING control to your desired station.
4. Adjust the VOLUME control to your favorite listening level.
5. Slide the FUNCTION switch to OFF position to shut off the radio.

GETTING BETTER RADIO RECEPTION:

For best AM reception, rotate the radio a small amount or position it near the window.

For best FM reception, unwrap and fully extend the FM antenna wire.

WARNING: Do not connect the FM antenna to an outdoor antenna.

Waking up to Radio (Alarm)

1. Set the alarm time as previously instructed and slide the ALARM SET button to ALARM 1, ALARM 2 or ALARM 1+2.
2. Select your desired AM or FM broadcast by following the procedure of Playing the Radio.
3. Make sure the VOLUME control is set loud enough to wake you up.
4. Slide the FUNCTION switch to AUTO position and the ALARM 1, or ALARM 2 or both indicators will light up (depending on what you select on step 1).

NOTE: Your set is now ready to turn on automatically at your selected alarm time(s).

5. When alarm sounds, to get 7 minutes of extra sleep, press the SNOOZE button.
6. To shut off the alarm, press ALARM/SLEEP OFF button.

OPERATING INSTRUCTIONS

Waking up to Buzzer (Alarm)

1. Set the alarm time as previously instructed and slide the ALARM SET button to ALARM 1, ALARM 2 or ALARM 1+2.
2. Slide the FUNCTION switch to BUZZ position and the ALARM 1, or ALARM 2 or both indicators will light up (depending on what you select on step 1).
3. The buzzer alarm is now set to turn on automatically at the selected alarm time(s).
4. When buzzer sounds, to get 7 minutes of extra sleep, press the SNOOZE button.
5. To shut off the alarm, press ALARM/SLEEP OFF button.

Snooze Control

When this set has waken you up and you wish to sleep a few minutes more, simply press the SNOOZE button. The radio or buzzer will go off for 7 minutes and then come on again. This is repeated in a row.

Alarm Off

1. Press ALARM/SLEEP OFF button. This will shut the alarm for that day only. Next day the set will wake you again at the same time.
2. Slide the FUNCTION switch to OFF position and the alarm function is **off** until you re-adjust the FUNCTION switch to AUTO or BUZZ.

Sleep Control

The SLEEP control will allow the radio to play 59 minutes before the radio turns itself off.

1. Slide the FUNCTION switch to BUZZ or AUTO position.
2. Press the SLEEP button, the display will show 59 minutes and the radio will start to play.
3. Press the SLEEP button down together with the FORWARD or REVERSE button until the display shows your desired amount of time you want the radio to play before shutting itself off.
4. Release both buttons. The radio will play for the time you selected and shut itself off.
5. To turn the radio off before the playing time has expired, simply press the ALARM/SLEEP OFF button.

NOTE: The sleep function will not affect the wake-up operation of the clock if the FUNCTION switch is in AUTO or BUZZ position. In the morning, the radio or buzzer will wake you up if FUNCTION switch is in the AUTO or BUZZ position.

Display Dimmer

The clock display has 2 settings: HIGH and LOW. Slide the switch to adjust the brightness of the display.

TROUBLE SHOOTING (Helpful Hints)

SHOULD YOUR SET EXHIBIT A PROBLEM, CHECK THE FOLLOWING BEFORE SEEKING SERVICE.

SYMPTOM	CAUSE	SOLUTION
Alarm does not come on in the morning.	AM or PM not set correctly. Is alarm time set in AM range (PM Lamp off)?	Advance the clock 12 hours.
	FUNCTION switch is in OFF position. Are the ALARM INDICATORS off?	Set the FUNCTION switch to AUTO or BUZZ position.
	ALARM SET switch is not in the proper position.	Recheck the ALARM 1 & ALARM 2 times, and make sure the proper ALARM indicator is turn on.
FM is distorted and weak.	FM antenna wire is not extended.	Extend FM antenna wire.
	Station not tuned in properly.	Tune to desired station carefully.
	Weak broadcast station.	Turn to a stronger station.
Noise or weak sound on AM broadcast.	Signal is blocked.	Rotate the set to receive better signal.
	External interference.	Turn the radio for better AM reception or bring set near a window.
Radio no sound.	FUNCTION switch is in the OFF position.	Slide the FUNCTION switch to ON position.
	VOLUME control set to minimum position.	Rotate VOLUME control for desired sound.
The clock is flashing.	The clock is not set.	Set the clock and alarm time.
	A power failure has occurred.	Reset the clock alarm time and time of the day.
Clock is dead.	The set's AC cord is not connected.	Connect set's AC cord and make sure outlet has power.
<p>LENOXX reserves the right to make design and specification changes for product improvement.</p>		

PROTECT YOUR FINE FURNITURE!

WE RECOMMEND A CLOTH OR OTHER PROTECTIVE MATERIAL BE PLACED UNDER THE SET WHEN PLACING IT ON SURFACE WITH A NATURAL OR LACQUER FINISH.

SPECIFICATIONS

- Power source: AC 120V, 60Hz, 8W
DC 9V battery for backup time memory
(optional, alkaline battery is recommended)
- Dimensions: 9" (Length)
4 1/4" (High)
2 3/4" (Depth)
- Frequency range: FM 88 - 108MHz
AM 530 - 1700kHz

LIMITED WARRANTY

We warrant this product to be free from defects in material and workmanship under normal use for a period of 90 days after purchase and we will repair it free of charge or replace it at no charge, should it become defective under this warranty, providing you submit proof of purchase (sales slip) with the set.

During the initial 90 day period after original purchase, we will service or exchange, at no charge, the set that is returned to LENOXX ELECTRONICS CORP. After the initial 90 day period expires, and for a period of 12 months from original purchase, we will repair the unit covering any part(s) that need to be replaced at no charge, but will charge for the cost of labor, return postage paid by LENOXX.

This warranty does not apply to any products which have been subject to misuse, neglect or accident. This warranty does not cover broken cords or cabinet. UNDER NO CIRCUMSTANCES WILL LENOXX ELECTRONICS CORP. BE LIABLE FOR ANY INCIDENTAL OR CONSEQUENTIAL DAMAGES. Some states do not allow the exclusion or limitation of incidental or consequential damages, so the above limitations or exclusions may not apply to you.

This warranty gives you specific legal rights, and you may also have other rights which vary from state to state. The following charges apply to repairs beyond the warranty period: \$5.00. Be sure to pack carefully and return postage paid insured together with your money order (personal checks will not be accepted) and sales receipt to :

LENOXX ELECTRONICS CORP.
2 GERMAK DRIVE, CARTERET N.J. 07008

For customer service

Dial 1-800-315-5885

(MONDAY - THURSDAY 9:00 AM - 5:00 PM, FRIDAY 9:00 AM - 1:00 PM EST)

or Visit Our Website: <http://www.lenoxx.com>

© 2003 LENOXX ELECTRONICS CORP.

2 GERMAK DRIVE

CARTERET, N.J. 07008

MADE & PRINTED IN CHINA